

### Features:

#### C211212

Included Components:

- Combination
  - Bowl C247
  - Tank T332

- Vitreous China
- 12" Rough-In
- 3" Flush Valve for Maximum Water Force
- Extra-large dual fed siphon jets for high power bowl clearing
- Double nut, multi-point tank-to-bowl mounting system for tool-free installation
- Chrome-plated left side-front metal lever with stainless rod
- 100% glazed, 2" trapway for clog-free waste removal
- Soft close and Quick-release seat included for fast and easy cleaning
- Wax ring, floor bolts and bolts caps included
- MaP 1000 g



### Technical Information:

Configuration	Two Piece ADA Elongated Toilet
Water per Flush	1.28 gpf( 4.8 Lpf)
Rough-In	12"
Height	30 5/8"
Width	15 3/8"
Depth	27 7/8"
Trapway	2"
Large Water Surface	8 11/16" x 6 5/16"
Shipping weight	83.3 lbs

### Accessories: (To be purchased separately)

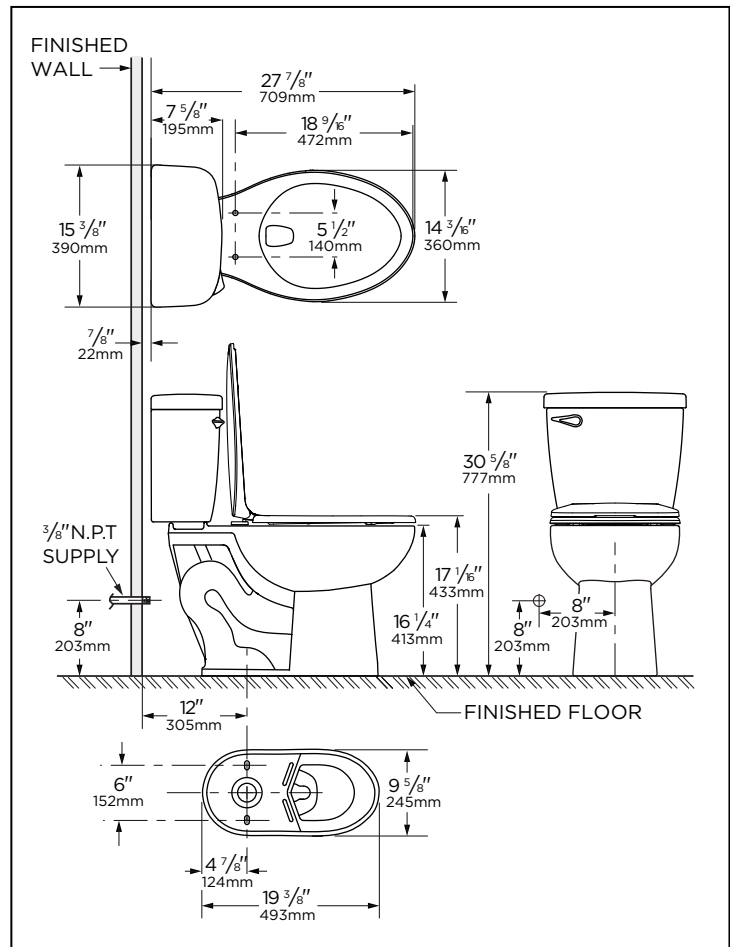
N/A

### Available Colors:

- White

### Warranty:

- 5 YEARS limited warranty



HIGH EFFICIENCY TOILET  
**HET**



NOTES: All dimensions are in inches and millimeters. Illustrations may not be drawn to scale.

#### IMPORTANT:

Dimensions of fixtures are nominal and may vary within the range of tolerances established by ASME standard A112.19.2/CSA B45.1 THIS FIXTURE QUALIFIES ACCORDING TO ASME TEST PROCEDURES AS A HIGH EFFICIENCY WATER CLOSET WITH AN AVERAGE CONSUMPTION OF 1.28 gpf (4.8 Lpf). WATER CLOSET CONSUMPTION IS DETERMINED BY THE TANK.

